

- Robust construction
- Wall and ceiling installation

WBCAA

Camera bracket. The joint allows wide vertical and horizontal adjustment and is provided with 1/4" bolt for camera mounting. This bracket can be used for wall or ceiling installations and is suitable for all cameras and HET mini housing.

WBCLA

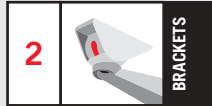
Elegant design camera bracket. The ball joint allows wide adjustment either vertically or horizontally. This bracket can be used for wall or ceiling installations.

WBCD

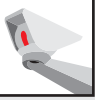
Range of different camera brackets available with different lengths. It can be used for wall or ceiling installations for CCD cameras.

WBCV

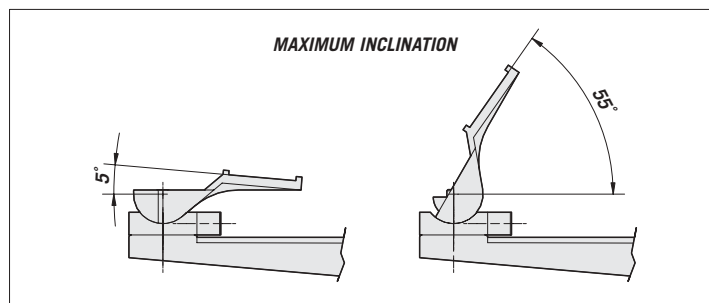
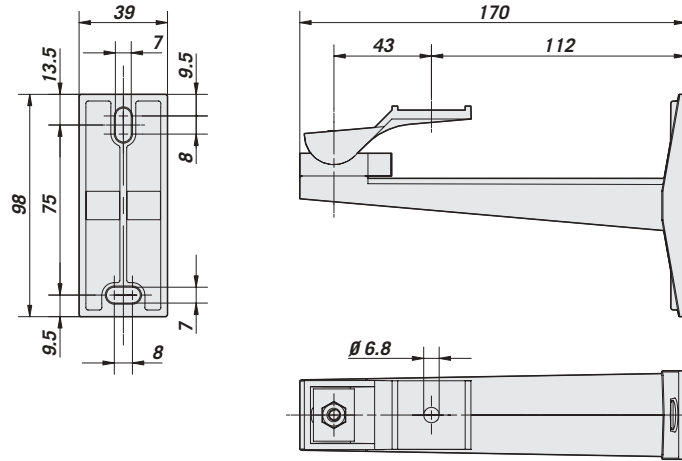
Range of different camera brackets available with various lengths. It can be used for wall or ceiling installations for CCD cameras.



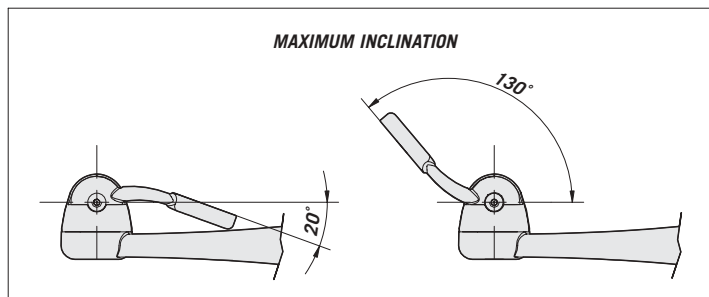
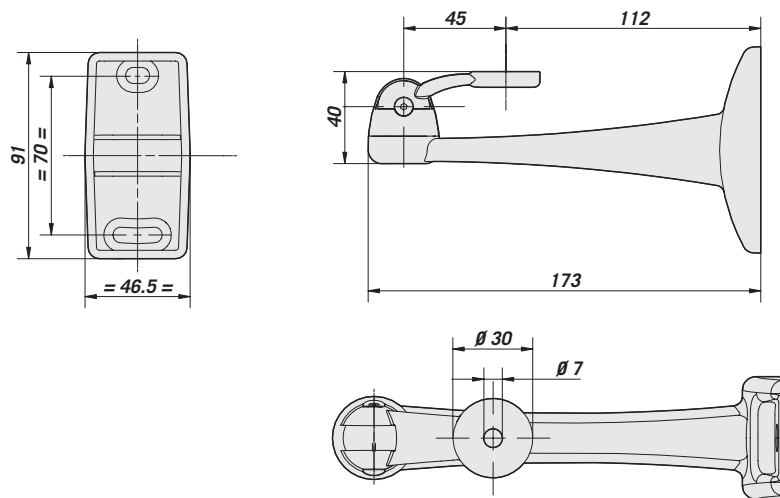
MODELS	
WBCAA	Camera wall/ceiling bracket
WBCLA	New technopolymer camera wall/ceiling bracket
WBCD19A	Camera wall bracket 190 mm
WBCD14A	Camera wall bracket 140 mm
WBCD8A	Camera wall bracket 80 mm
WBCDM4A	Camera wall bracket 50 mm
WBCP5A	50mm linear extension for WBCD-WBCV bracket
WBCV19A	Camera wall bracket 190 mm
WBCV14A	Camera wall bracket 140 mm
WBCV8A	Camera wall bracket 80 mm



WBCA

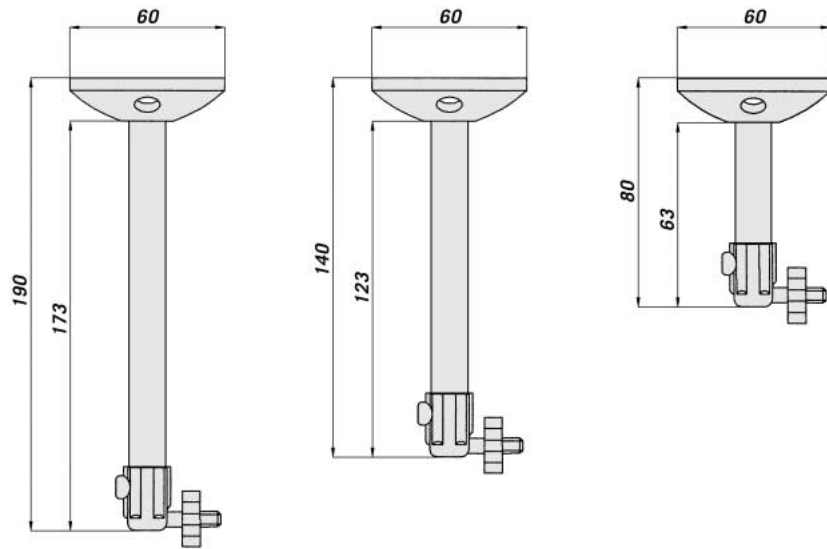


WBCLA

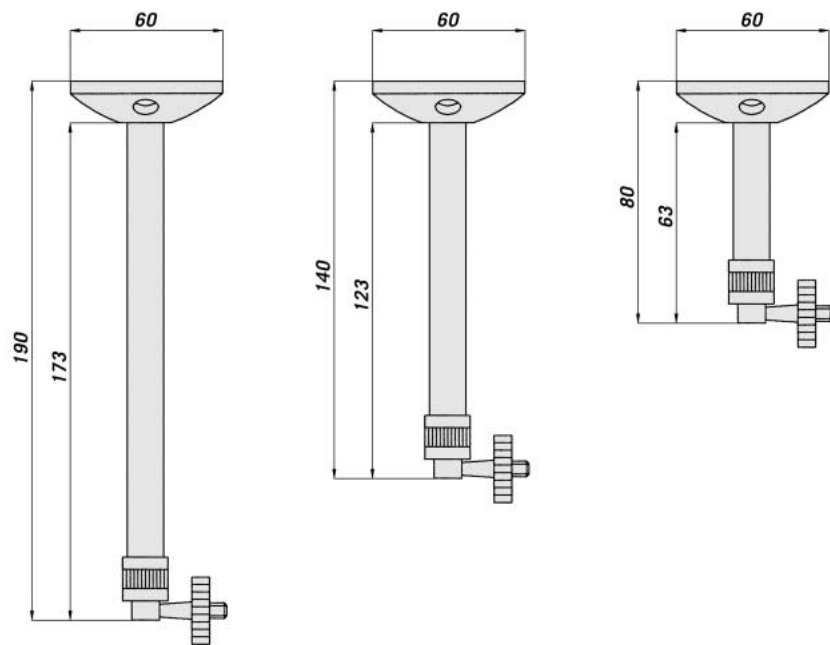


The values are in millimeters.

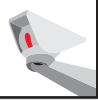
WBCD



WBCV



The values are in millimeters.



TECHNICAL DATA

GENERAL

WBCAA

- Die-cast aluminium
- Painted with epoxypolyester powder RAL9002
- Equipped with 1/4" bolt for camera mounting

WBCLA

- Technopolymer construction
- RAL9002
- Equipped with 1/4" bolt for camera mounting

WBDC

- Made of aluminium and swivel and base made of nylon
- Painted with epoxypolyester powder RAL9002
- Swivel and base RAL9002
- M4 grub screw (the setscrew wrench is supplied)

WBCV

- Made of aluminium, painted with epoxypolyester powder RAL9002
- Base RAL9002
- Ball joint with ring lock in anodized aluminium

MECHANICAL

WBCAA

- Wall or ceiling installations
- Suitable for any camera and for HET small housing
- Max Load 5 kg (11 lb)
- Length 170 mm (6.7 in)

WBCLA

- Wall or ceiling installations
- Suitable for any camera
- Max Load 3 kg (6.6 lb)
- Length 170 mm (6.7 in)

WBDCD

- Wall or ceiling installations
- Wide adjustment balljoint
- Suitable for any camera
- Max Load 1 kg (2.2 lb)
- Length 50, 80, 140, 190 mm (1.9, 3.1, 5.5 and 7.4 in)

WBCV

- Wall or ceiling installations
- Suitable for any camera
- Max Load 2 kg (4.4 lb)
- Length 80, 140, 190 mm (3.1, 5.5 and 7.4 in)

ENVIRONMENT

- Indoor/outdoor WBCAA
- Indoor WBCLA, WBDCD and WBCV



Unit Weight (kg / lb):

WBCA: 0,2 / 0.44
 WBCLA: 0,10 / 0.22
 WBDCD19A: 0,14 / 0.3
 WBDCD14A: 1,1 / 2.42
 WBDCD8A: 0,90 / 1.98
 WBDCM4A: 0,70 / 1.54
 WBDCD14A:
 WBCP5A: 0,30 / 0.66
 WBCV19A: 1,40 / 3.08
 WBCV14A: 1 / 2.2
 WBCV8A: 0,90 / 1.98

Package Weight (kg / lb):

WBCA:
 WBCLA:
 WBDCD19A:
 WBDCD14A:
 WBDCD8A:
 WBDCM4A:
 WBDCD14A:
 WBCP5A:
 WBCV19A:
 WBCV14A:
 WBCV8A:

Package Dimensions (cm / in):

WBCA:
 WBCLA:
 WBDCD19A:
 WBDCD14A:
 WBDCD8A:
 WBDCM4A:
 WBDCD14A:
 WBCP5A:
 WBCV19A:
 WBCV14A:
 WBCV8A:

Master Carton (units):

WBCA: 30
 WBCLA: 30
 WBDCD19A: 50
 WBDCD14A: 50
 WBDCD8A: 50
 WBDCM4A: 50
 WBDCD14A: 50
 WBCP5A: 10
 WBCV19A: 50
 WBCV14A: 50
 WBCV8A: 50